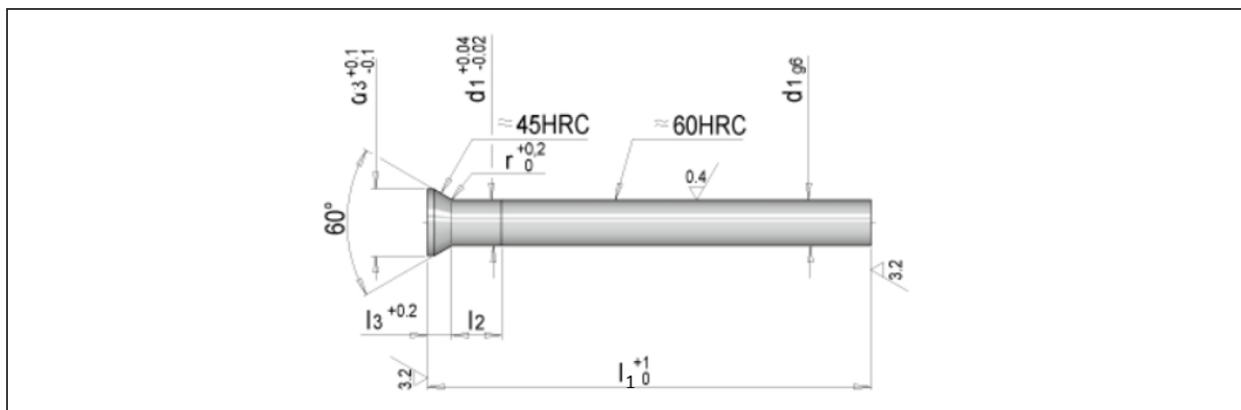


DIN 1530, typ D



Objednávacie číslo: **COM – 6151**

Materiál:

WS - nástrojová oceľ na spracovanie za studena

Tvrdosť:

Telo: HRC 60 +4 / -2

Hlava: HRC 45 +-5

Príklad objednania : COM-6151 - d1xl1

DIN 1530, typ D

d ₁ g 6	d ₂	Grenzmaße Limit values	d ₃	k +0,2 0	r	l ₁ +2 0						l ₂	
						100	125	160	200	250	315		
0,5	0,9	± 0,05	d ₁ +0,02	0,55	0,2 + 0,2	●						5	
0,6	1,1			0,63		●							
0,7	1,3			0,72		●							
0,8	1,4			0,92		●	●	●	●				
0,9	1,6			1,01		●	●	●	●				
1,0	1,8			1,19		●	●	●	●				
1,1				1,11		●	●	●	●				
1,2				1,19		●	●	●	●				
1,25	2,0			1,15		●	●	●					
1,3			1,11	●	●	●	●						
1,4	2,2		1,19	●	●	●	●						
1,5			1,11	●	●	●	●						
1,6	2,5		1,28	●	●	●	●						
1,7			1,19	●	●	●	●						
1,75	2,8		1,15	●	●	●							
1,8			1,37	●	●	●	●						
1,9	3,0		1,28	●	●	●	●						
2,0			1,37	●	●	●	●	●					
2,1	3,2		1,45	●	●	●	●						
2,2		1,37	●	●	●	●							
2,25	3,5	1,32	●										
2,3		1,54	●	●	●	●							
2,4	4,0	1,45	●	●	●	●							
2,5		1,37	●	●	●	●	●						
2,6	4,5	1,71	●	●	●	●							
2,7		1,63	●	●	●	●	●						
2,75	5,0	1,58			●								
2,8		1,54	●	●	●	●							
2,9	5,5	1,45	●	●		●							
3,0		1,80	●	●	●	●	●						
3,1	6,0	1,71	●	●	●	●							
3,2		1,63	●	●	●	●	●						
3,25	7,0	1,58	●	●									
3,3		1,54	●	●	●	●							
3,35	8,0	1,50		●									
3,4		1,45	●	●	●	●							
3,5	9,0	1,80	●	●	●	●	●						
3,6		1,71	●		●	●							
3,7	10,0	1,63	●	●		●							
3,75		1,58				●							
3,8	11,0	1,54	●	●		●							
3,9		1,45	●	●	●	●							
4,0	12,0	1,80	●	●	●	●	●	●					
4,1		1,71	●	●	●	●							
4,2	14,0	1,63	●	●	●	●							

d ₁ g 6	d ₂	Grenzmaße Limit values	d ₃	k +0,2 0	r	l ₁ +2 0						l ₂	
						100	125	160	200	250	315		
4,25	5,5	± 0,1	d ₁ +0,03	1,58	0,6 ^{0,3}	●			●			5	
4,3				1,54		●	●	●	●				
4,4				1,45		●	●	●	●				
4,5	6,0			1,80		●	●	●	●	●			
4,6				1,71		●	●		●				
4,7	1,63			●		●		●					
4,75	6,5			1,58		●							
4,8				1,54		●	●	●	●				
4,9	7,0			1,45		●		●					
5,0			1,80	●	●	●	●	●	●				
5,1	8,0		1,71	●		●							
5,2			1,63	●	●	●	●						
5,3	9,0		1,54		●								
5,4			1,45		●		●						
5,5	10,0		1,80	●	●	●	●						
5,6			1,71	●	●		●						
5,7	11,0		1,63		●		●						
5,8			1,54		●		●						
5,9	12,0		1,45			●							
6,0		2,23	●	●	●	●	●	●					
6,1	13,0	2,15	●										
6,2		2,06	●	●	●	●							
6,3	14,0	1,97		●		●							
6,5		3,17	●	●	●	●							
6,7	15,0	2,99	●	●	●	●							
7,0		2,73	●	●	●	●							
7,5	16,0	3,17	●	●	●	●							
7,9		2,82	●										
8,0	18,0	2,73	●	●	●	●	●	●					
8,1		2,65				●							
8,2	20,0	2,56	●			●							
8,4		2,39		●		●							
8,5	22,0	3,17	●	●	●	●							
9,0		2,73	●	●	●	●							
9,5	24,0	3,17		●									
10,0		2,73	●	●	●	●	●	●					
11,0	26,0	2,73	●	●	●	●							
11,5		3,17		●									
12,0	28,0	2,73	●	●	●	●	●	●					
12,0		2,73	●	●	●	●	●	●					
13,0	30,0	2,73		●		●							
14,0		3,23	●	●	●	●	●	●					
16,0	32,0	3,23	●	●	●	●	●	●					

● = Dostupné veľkosti

☎ Špeciálna výroba na dopyt