

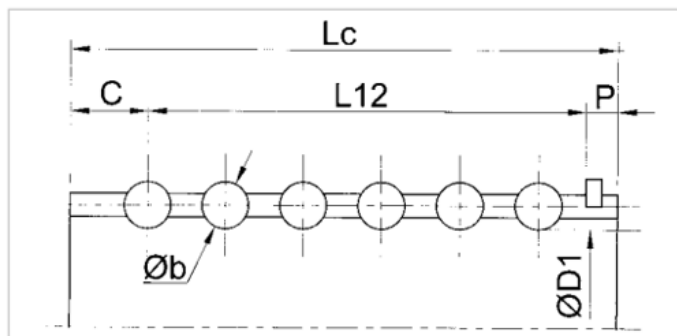
FRANCÚZSKA NORMA



According to AFNOR standards
NF E 63.120/121/122/123/124/125.

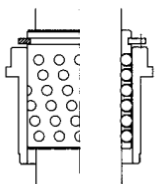
For special applications, it is possible to mount ball bearing cages that are of different lengths to the guide bushes.

Legend On request



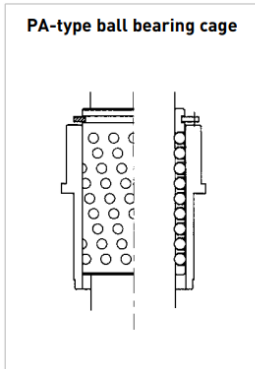
ØD1	12	16	20	25	32	40	50	63	80	100
Øb	2	2	2,5	3,5	4	5	6,5	6	6	7,5
P	2,6	2,8	2,8	3,6	3,9	3,9	4,2	5,2	6,2	8,2
C	3	3	3,3	3,9	4,6	5,3	6	6	7	7
Lc										

PA-type ball bearing cage

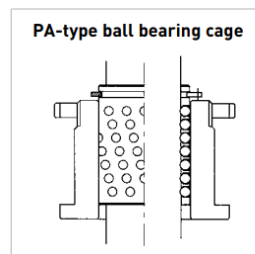


ØD1	12	16	20	25	32	40	50	63	80	100
Height HB	REFERENCE									
25	PA.012.11	PA.016.11	PA.020.10							
32	PA.012.13	PA.016.13	PA.020.12	PA.025.09						
40	PA.012.16	PA.016.16	PA.020.14	PA.025.11	PA.032.09					
50		PA.016.19	PA.020.17	PA.025.13	PA.032.11	PA.040.09				
63			PA.020.20	PA.025.15	PA.032.14	PA.040.11	PA.050.10			
80				PA.025.19	PA.032.17	PA.040.14	PA.050.12			
100						PA.040.16	PA.050.14	PA.063.14		
125								PA.063.17	PA.080.17	
160									PA.080.21	PA.100.18
200										PA.100.22

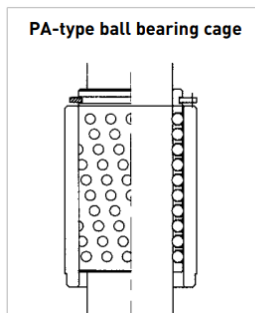
FRANCÚZSKA NORMA



ØD1	12	16	20	25	32	40	50	63	80	100
Height JB	REFERENCE									
25	PA.012.16	PA.016.18								
32	PA.012.18	PA.016.20	PA.020.18	PA.025.15	PA.032.13					
40		PA.016.24	PA.020.20	PA.025.17	PA.032.15	PA.040.13	PA.050.12			
50			PA.020.23	PA.025.19	PA.032.17	PA.040.14	PA.050.14			
63				PA.025.21	PA.032.19	PA.040.16	PA.050.15			
80						PA.040.19	PA.050.17			
100							PA.050.19	PA.063.19		
125								PA.063.22	PA.080.23	
160									PA.080.27	PA.100.24
200										PA.100.28



ØD1	12	16	20	25	32	40	50	63	80	100
Height NB	REFERENCE									
12	PA.012.05	PA.016.05								
16		PA.016.07	PA.020.06							
20			PA.020.07	PA.025.06	PA.032.05					
25				PA.025.07	PA.032.06	PA.040.05				
32					PA.032.07	PA.040.06	PA.050.05			
40						PA.040.07	PA.050.06			



ØD1	12	16	20	25	32	40	50	63	80	100
Height GB	REFERENCE									
32	PA.012.10	PA.016.10	PA.020.08							
40	PA.012.13	PA.016.13	PA.020.11	PA.025.08						
50	PA.012.16	PA.016.16	PA.020.13	PA.025.10	PA.032.09					
63			PA.020.17	PA.025.13	PA.032.11	PA.040.09				
80			PA.020.22	PA.025.17	PA.032.14	PA.040.11	PA.050.10			
100					PA.032.17	PA.040.14	PA.050.12			
125						PA.040.18	PA.050.15			
160							PA.050.19			

